



## LG002X

The wax thermostatic element produced by the SMLG with its own patented formula is widely recognized, praised and applied in the industry for its sensitivity and accuracy. It has also passed the European experimental institutions product certification (ACS, WRAS)

### Technical Parameter

| Maximum Load | 140N  | Temperature(°C) | Stroke(mm) |
|--------------|-------|-----------------|------------|
| Minimum Load | 55N   | 1.6°C~ 4°C      | 4.5 ± 0.45 |
| Testing Load | 90N   | 4°C~ 25°C       | ≤ 6        |
| Spring Rate  | 5N/mm | 1°C~ 90°C       | ≤ 10       |

Maximum Temperature 90°C

Material Copper

Stroke:L=20±0.25mm at 25°C 90N

Lifespan:100000 times

After 30,000 cycles life testing, the length shall be not less than 19.5mm. After 100,000 cycles life testing, the length shall be not less than 19.2mm

Spring's elastic force is 90N when the temperature is 25°C, and the spring elastic stiffness 5N/mm

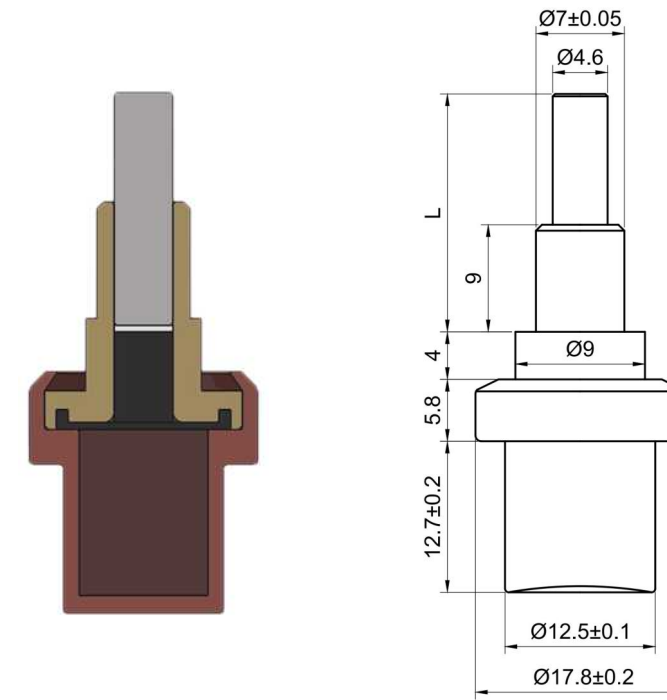
### Application

- Automobile
- Plumbing
- Sanitary
- Shipping
- Air conditioning
- Military
- Other industries

### Customize Solution

If you are not sure about the parameters of thermostatic element, our team will assist you with your selection or customize according to your products' situation. Before any commitment, you need to send us written confirmation for the three performance parameters of the wax thermostatic element (temperature range, working stroke and maximum load).

### Dimension



### Temperature VS. Stroke

